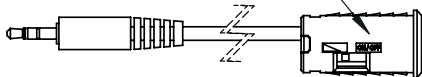


**1 Select operating mode**

Set dimmer switch:



- Briefly press ON / OFF
- Press for longer - dim

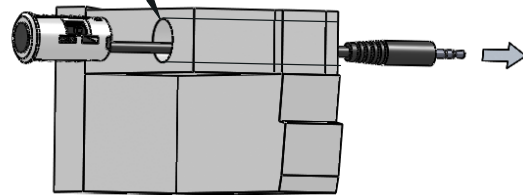


**Attention :**

If there are 2-3 switches,  
they must all be in the same operating mode!

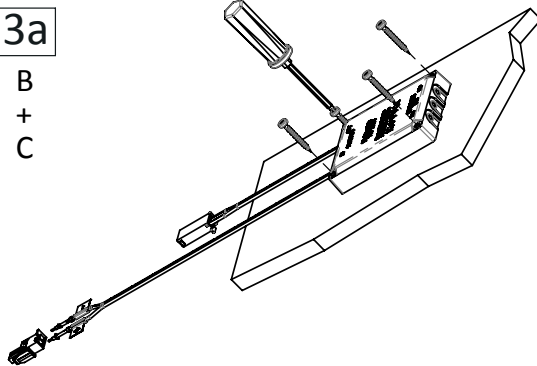
**2**

13mm hole



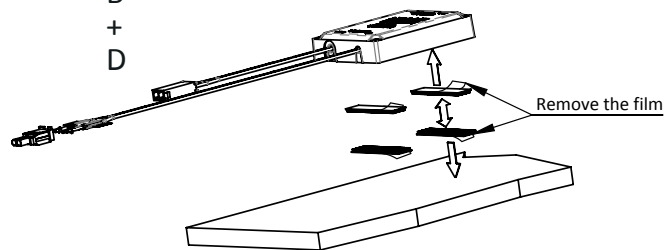
**3a**

B  
+  
C

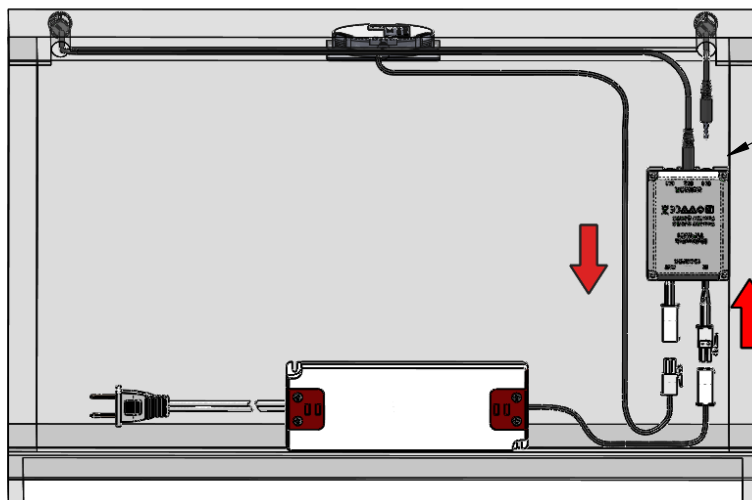


**3b**

B  
+  
D



**SUMMARY**



max. 3x  
A in B

Max. 12VDC input  
36W max. load