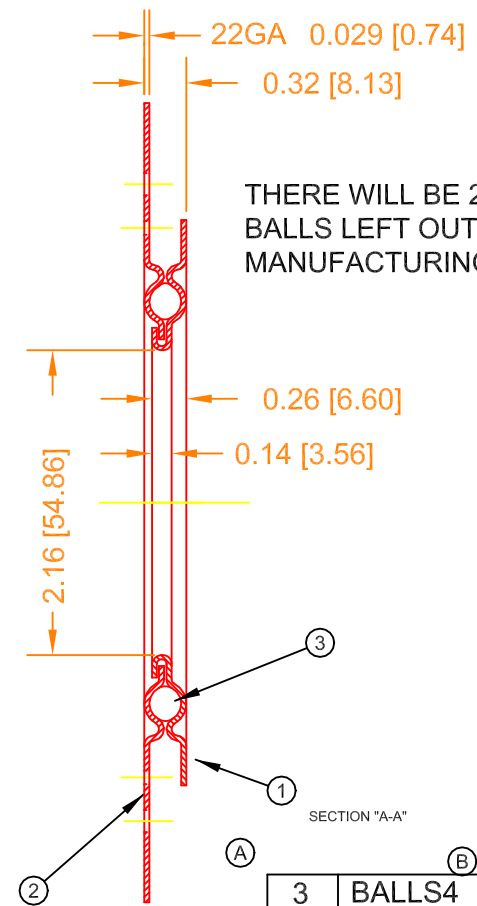
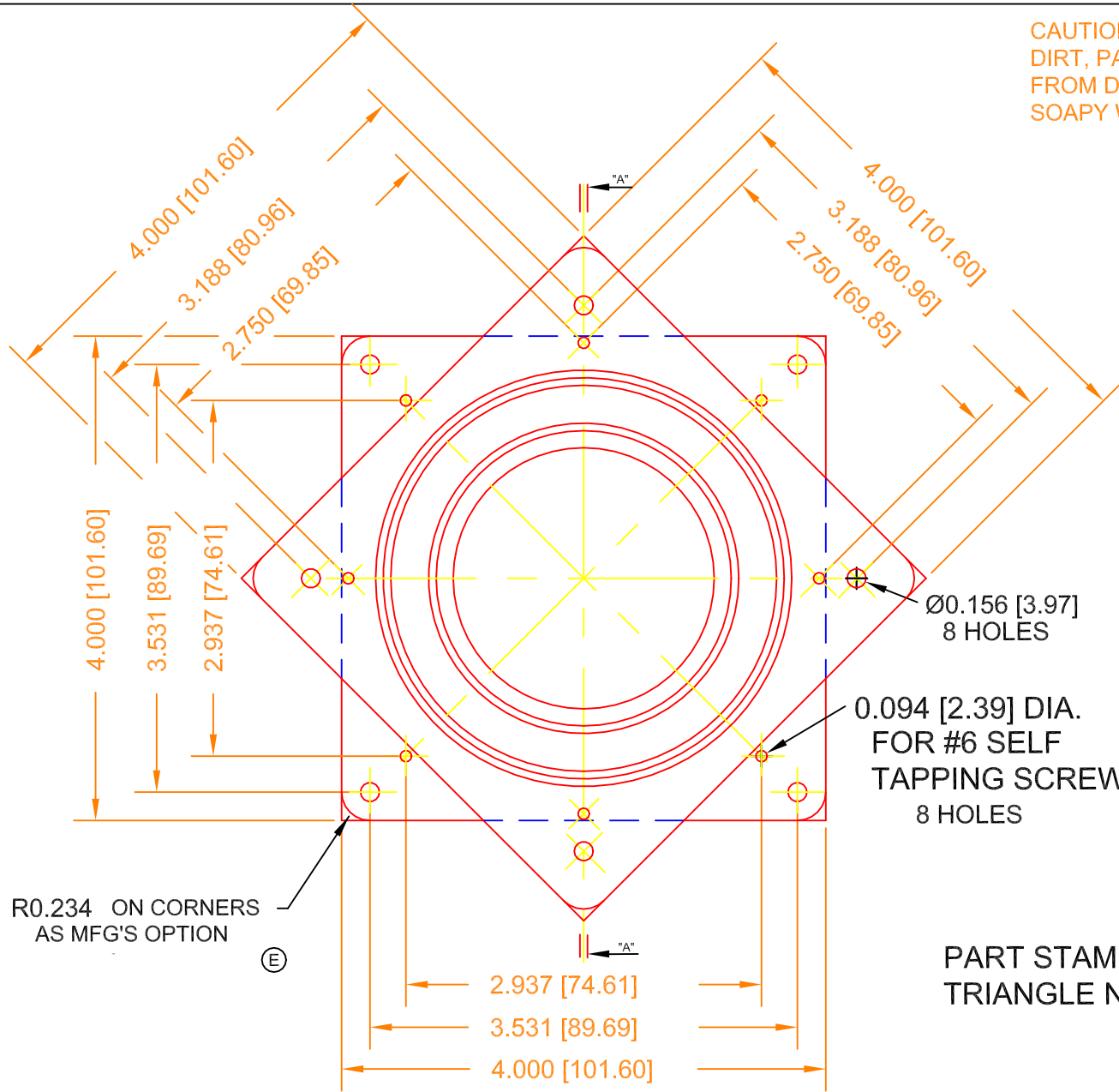


CAUTION: PROTECT BALLS AND RACES FROM SAWDUST, DIRT, PAINT, ETC. SHOULD BEARING BECOME "ROUGH" FROM DIRTY RACES, FLUSH THOROUGHLY WITH HOT SOAPY WATER, RINSE, OVEN DRY AND RE-OIL.



THERE WILL BE 2 TO 4 BALLS LEFT OUT DUE TO MANUFACTURING PROCESS.

PART STAMPED WITH TRIANGLE NAME STAMP

DET	PART NUMBER	DESCRIPTION	AMT
3	BALLS4	BALL	1
2	2823	PLAIN RACE	1
1	9486	STAMPING	1

B TRIANGLE MANUFACTURING CO.
OSHKOSH, WI.

NAME 4" LAZY SUSAN BEARING

USED IN 4C SERIES

FIT	////	DATE	11-25-59	PART NO.	4C
PLATING	ELECTRO-GALV	DRAWN	LML		
MATERIAL	SEE DETAILS	CHECKED	MJK		
ALL DIMS ±.020 UNLESS SPECIFIED		SCALE	1 / 1		

CHANGE LEVEL	
H	09-05-12